

The above lights are designed for use on sail or power driven vessels under 20 meters (65.6 ft.) in length operating on a nominal 12 volt system. In order to comply with '72 COLREGS and the U.S. Inland Rules, the following must be adhered to:



MOUNTING INFORMATION

Read all instructions before proceeding.

- 1). These instructions show the orientation of each light. For proper light selection, positioning and configuration, refer to A.B.Y.C. Standard A-16*, the '72 COLREGS and the U.S. Inland Navigation Rules*. These lights are supplied complete with 12 volt L.E.D.'s. L.E.D. lights have no user serviceable parts.
- 2). This light is designed to be mounted on a horizontal surface.
- 3). Draw a 6 inch long reference line through the center of the selected mounting location and parallel to the fore-aft centerline of the boat.
- 4). Cut out the mounting template below. Tape it on to the mounting surface such that the reference line (drawn in Step #3) is directly underneath the reference line marked on the template.
- 5). Drill indicated holes through the template to accommodate #8 oval head mounting screws and electrical supply as required.
- 6). **IMPORTANT:** If wiring light into a new installation (or an installation with a new switching arrangement), use wiring diagram (A). If replacing a similar two compartment light (incandescent combination masthead/anchor) light, use wiring diagram (B) with Perko Cat. No. 1680DP012V 12 volt converter module or reswitch the navigation lights to match wiring diagram (A). Direct wire to wire replacement of an older style incandescent light with this new style L.E.D. light will not work.

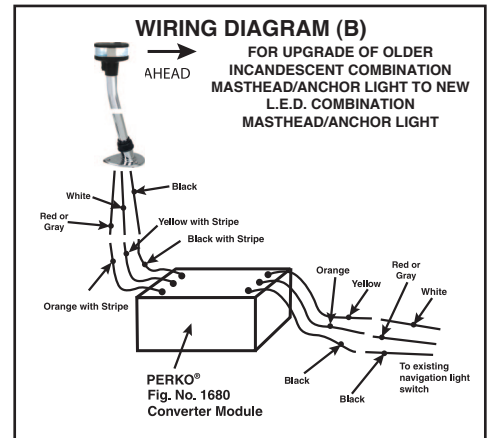
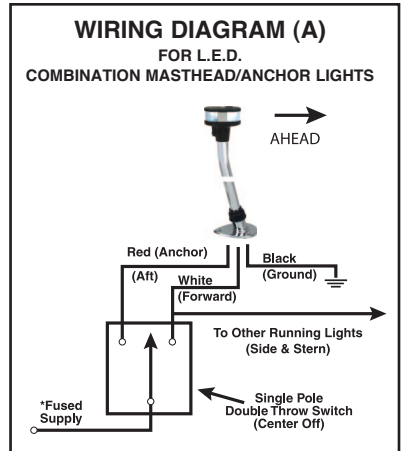
Attach supply connections to the light making sure to wire in accordance with both A.B.Y.C. Standard E4* and U.S. Coast Guard Safety Standards for Boat Electrical Systems (33 CFR 183)*.

The supply leads are coded as follows:

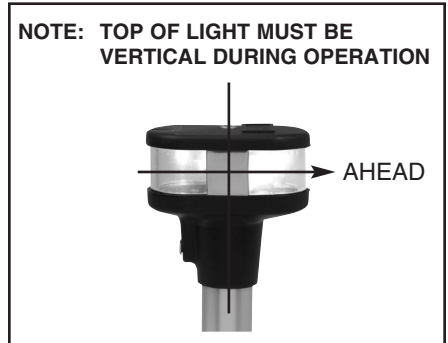
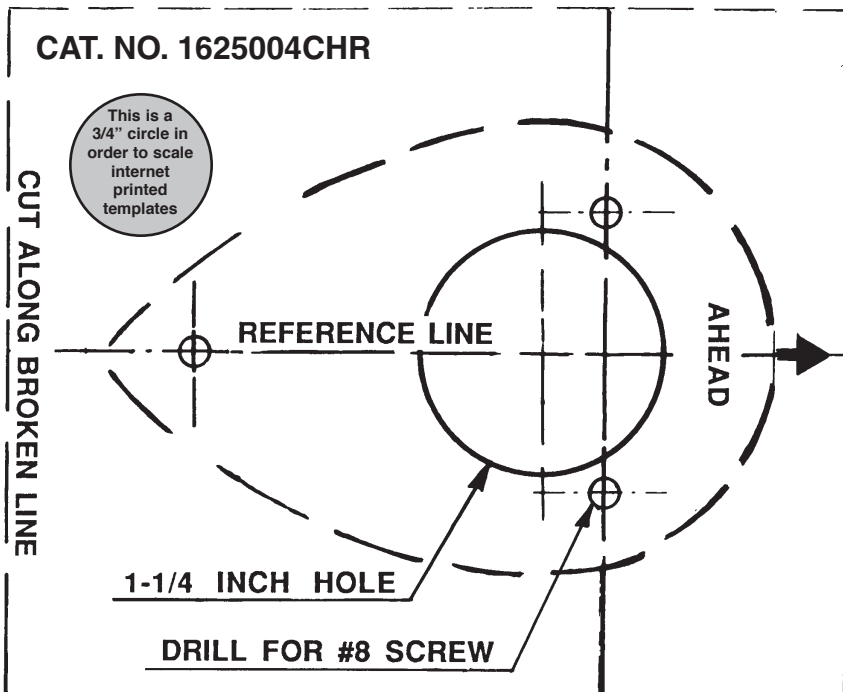
- WHITE: Forward compartment only (masthead light) positive lead supply.
- GRAY or RED: Forward compartment and aft compartment (anchor light) positive lead supply.
- BLACK: Negative lead supply.

Electrical connections are to be made such that only the forward compartment (masthead light) is energized with the other running lights (sidelights, stern lights etc.) while underway. Both compartments are energized simultaneously by themselves to create the all-round (anchor) light.

- 7). Mount the base in accordance with the template.
- 8). Insert the pole into the base and engage the electrical connector. Tighten the black collar. Test the lighting system to ensure desired operation.
- 9). Make sure the top of the light is vertical during operation (See illustration) and the arrow on the top cover points ahead (not astern), with the reference marks parallel to the fore-aft centerline of the boat.
- 10). A cap is provided to protect the base connector when the pole is removed. A cap retainer is also provided to hold the cap while the light is in use, and should be conveniently mounted nearby.



MOUNTING TEMPLATE



- * The above referenced standards can be obtained from:
- (1). American Boat & Yacht Council, Inc.
613 Third Street, Suite 10
Annapolis, MD 21403
 - (2). U.S. Coast Guard
Washington, D.C. 20593
(or your local C.G. office)